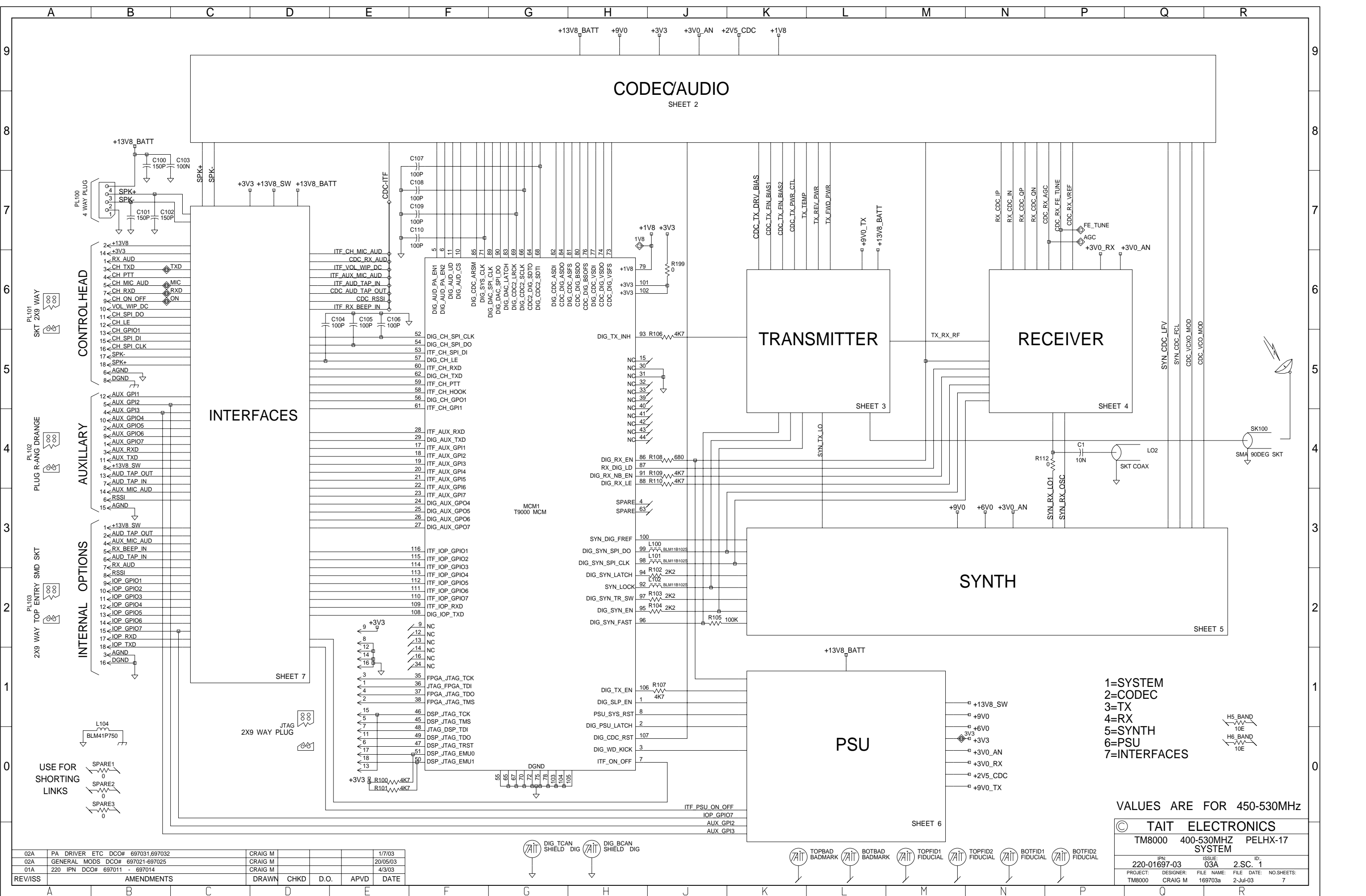


CODEC/AUDIO

SHEET 2

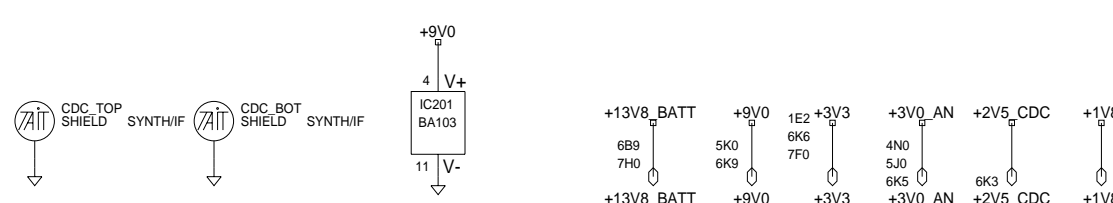
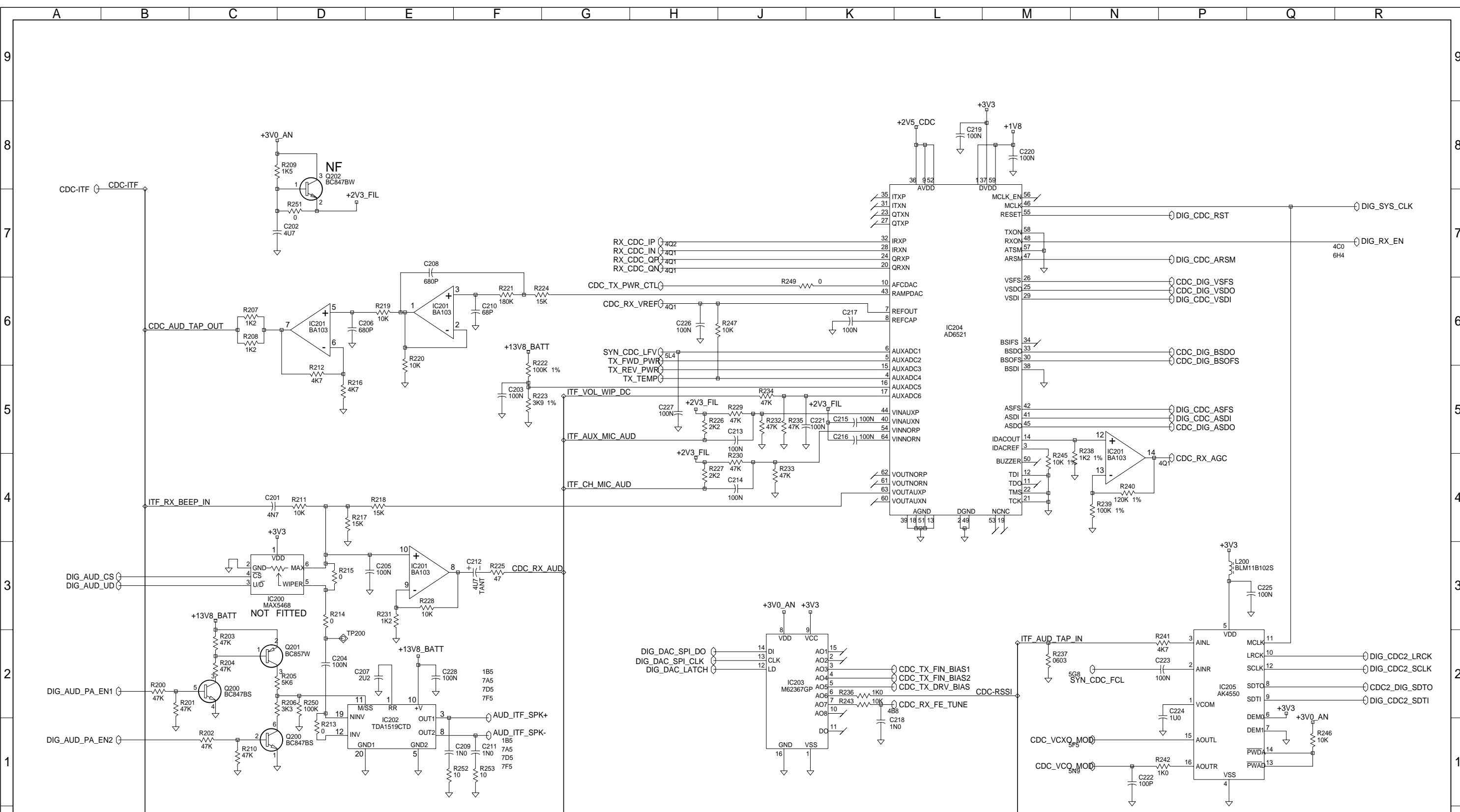


- 1=SYSTEM
- 2=CODEC
- 3=TX
- 4=RX
- 5=SYNTH
- 6=PSU
- 7=INTERFACES

VALUES ARE FOR 450-530MHz

© TAIT ELECTRONICS
 TM8000 400-530MHZ PELHX-17 SYSTEM
 IPN: 220-01697-03 ISSUE: 03A 2.SC. 1
 PROJECT: TM8000 DESIGNER: CRAIG M FILE NAME: 169703a DATE: 2-JUL-03 NO. SHEETS: 7

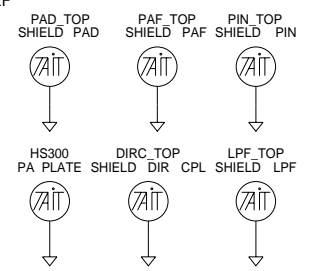
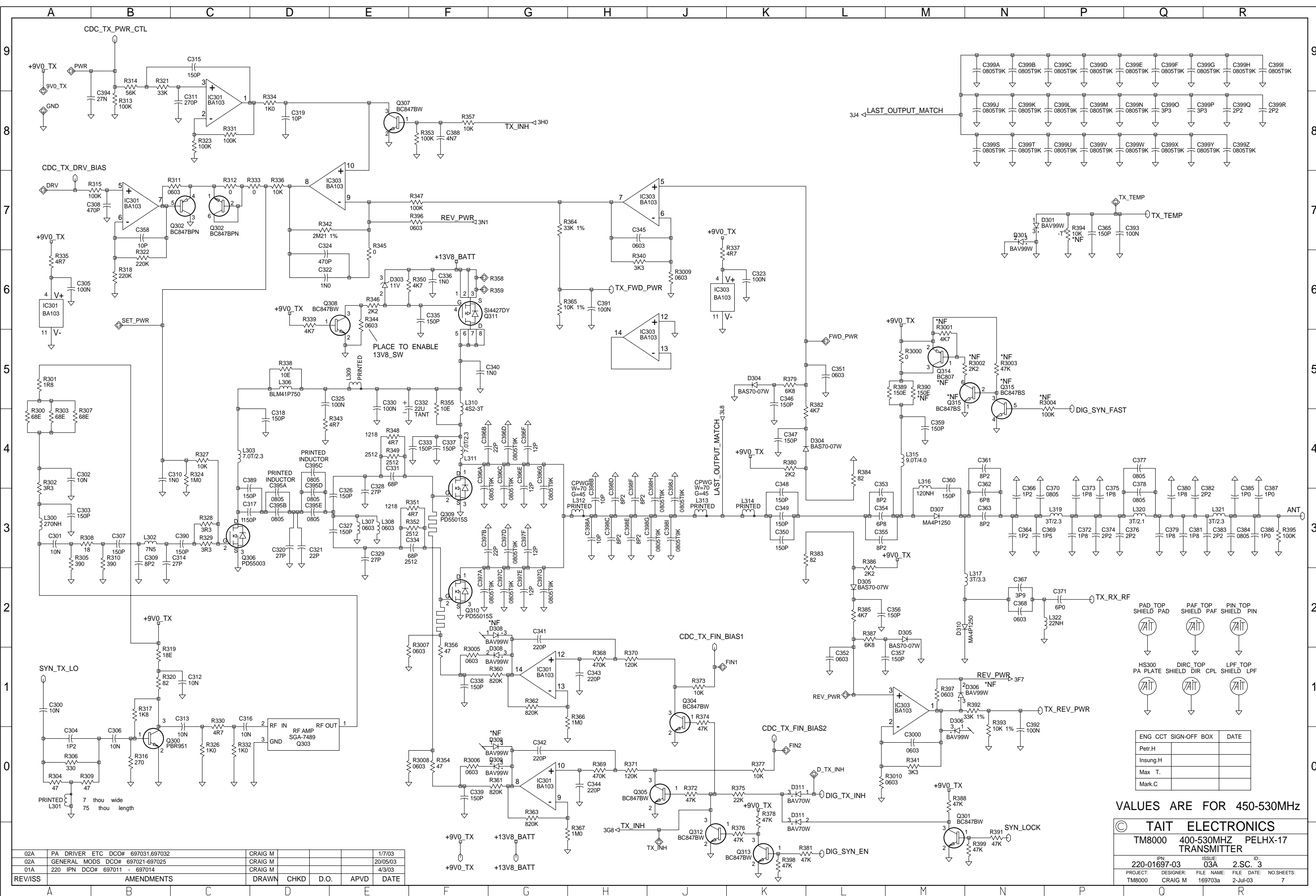
02A	PA DRIVER ETC DCO# 697031,697032	CRAIG M			1/7/03
02A	GENERAL MODS DCO# 697021-697025	CRAIG M			20/05/03
01A	220 IPN DCO# 697011 - 697014	CRAIG M			4/3/03
REV/ISS	AMENDMENTS	DRAWN	CHKD	D.O.	APVD DATE



VALUES ARE FOR 450-530MHz

© TAIT ELECTRONICS
 TM8000 400-530MHZ PELHX-17 CODEC
 IPN: 220-01697-03 ISSUE: 03A 2.SC. 2 ID:
 PROJECT: TM8000 DESIGNER: CRAIG M FILE NAME: 169703a FILE DATE: 2-Jul-03 NO.SHEETS: 7

02A	PA DRIVER ETC DCO# 697031.697032	CRAIG M			1/7/03
02A	GENERAL MODS DCO# 697021-697025	CRAIG M			20/05/03
01A	220 IPN DCO# 697011 - 697014	CRAIG M			4/3/03
REV/ISS	AMENDMENTS	DRAWN	CHKD	D.O.	APVD DATE



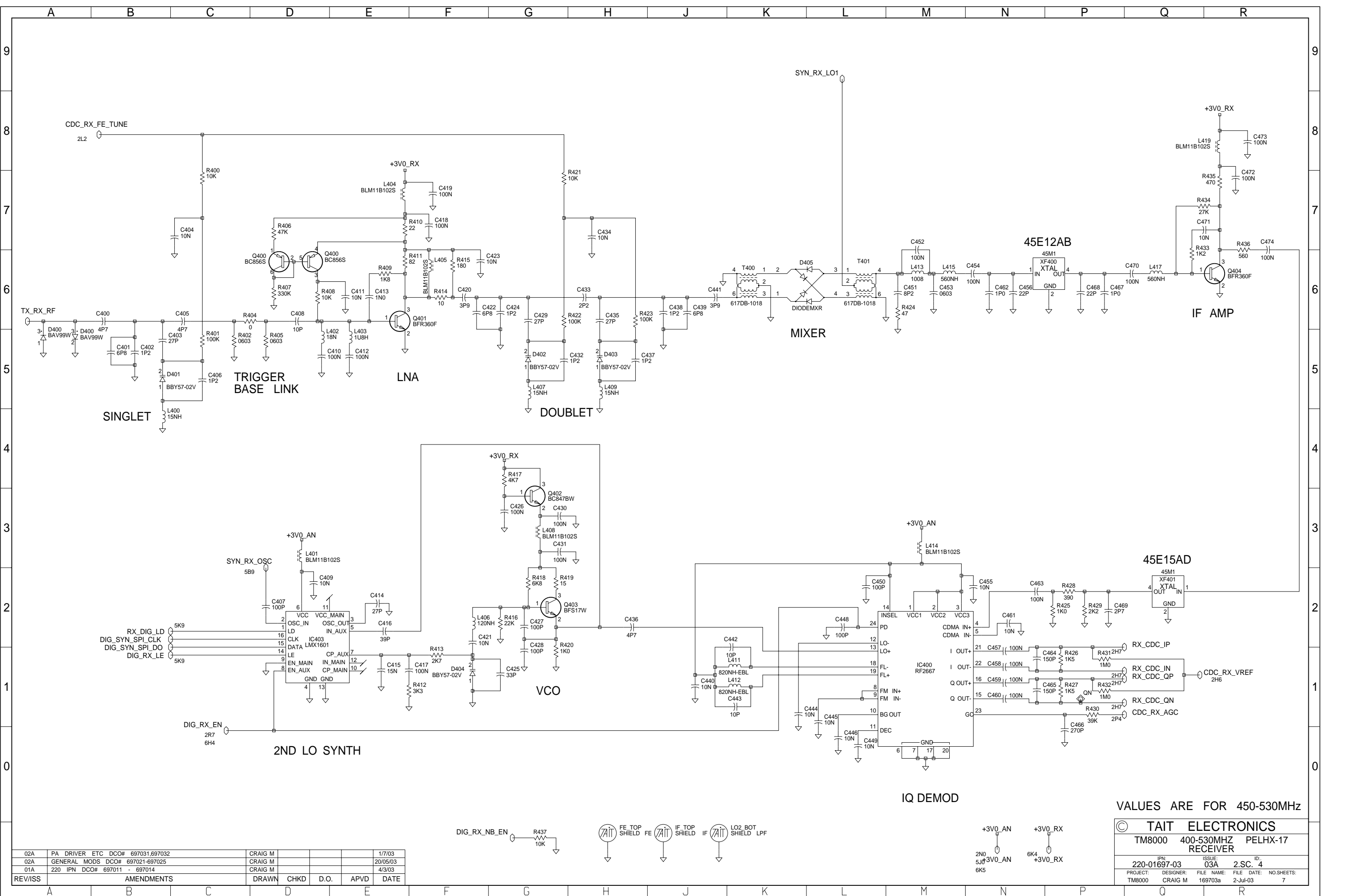
ENG	CCT	SIGN-OFF	BOX	DATE
Petr.H				
Insung.H				
Max.T.				
Mark.C				

VALUES ARE FOR 450-530MHz

© TAIT ELECTRONICS
 TM8000 400-530MHZ PELHX-17 TRANSMITTER

IPN: 220-01697-03 ISSUE: 03A 2.SC. 3 ID:
 PROJECT: TM8000 DESIGNER: CRAIG M FILE NAME: 169703a DATE: 2-Jul-03 NO. SHEETS: 7

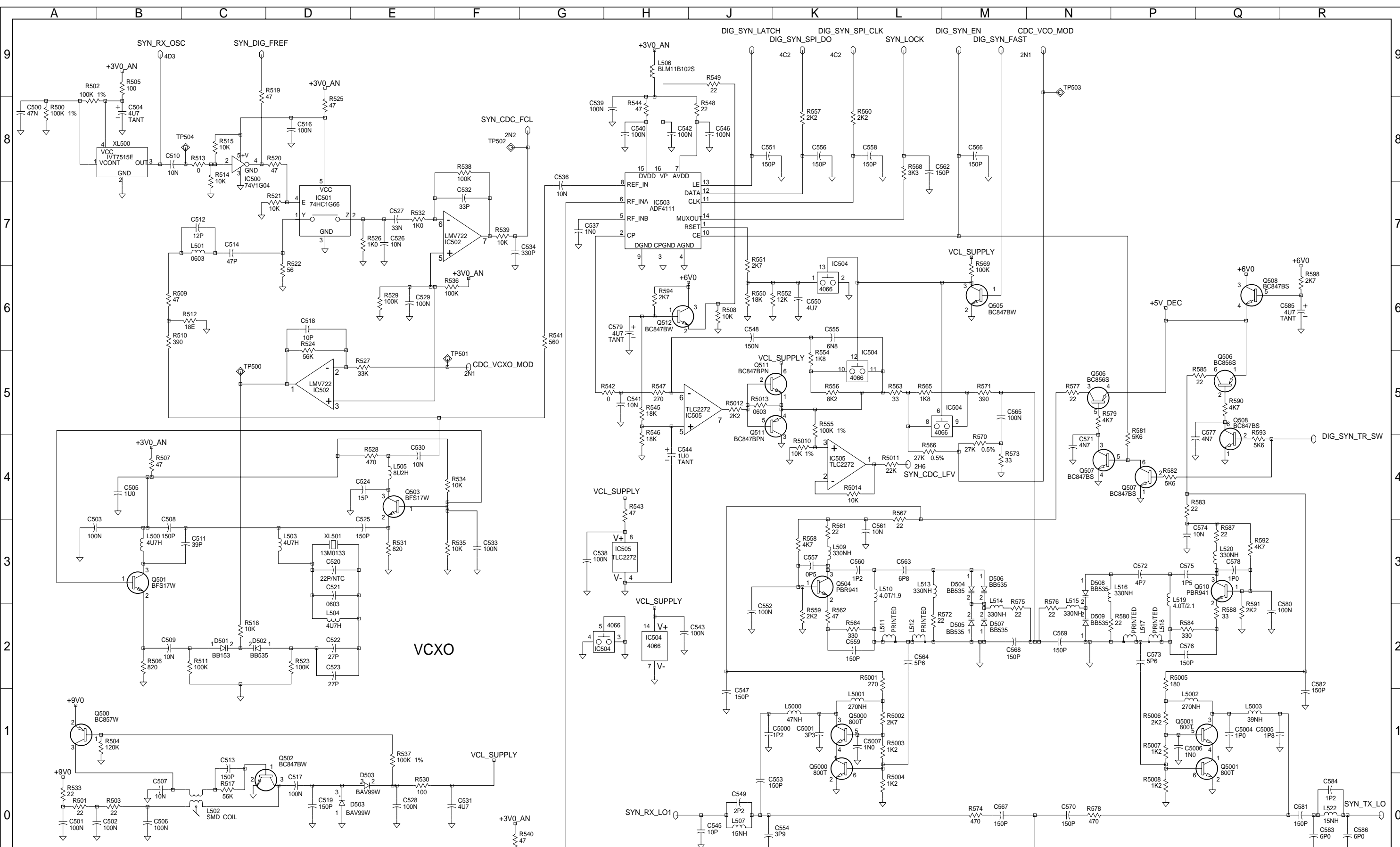
REV/ISS	AMENDMENTS	DRAWN	CHKD	D.O.	APVD	DATE
02A	PA DRIVER ETC DCO# 697031,697032	CRAIG M				1/7/03
02A	GENERAL MODS DCO# 697021-697025	CRAIG M				20/05/03
01A	220 IPN DCO# 697011 - 697014	CRAIG M				4/3/03



VALUES ARE FOR 450-530MHz

© TAIT ELECTRONICS			
TM8000 400-530MHZ PELHX-17 RECEIVER			
IPN: 220-01697-03	ISSUE: 03A	ID: 2.SC. 4	
PROJECT: TM8000	DESIGNER: CRAIG M	FILE NAME: 169703a	FILE DATE: 2-Jul-03
			NO. SHEETS: 7

02A	PA DRIVER ETC DCO# 697031,697032	CRAIG M			1/7/03
02A	GENERAL MODS DCO# 697021-697025	CRAIG M			20/05/03
01A	220 IPN DCO# 697011 - 697014	CRAIG M			4/3/03
REV/ISS	AMENDMENTS	DRAWN	CHKD	D.O.	APVD DATE



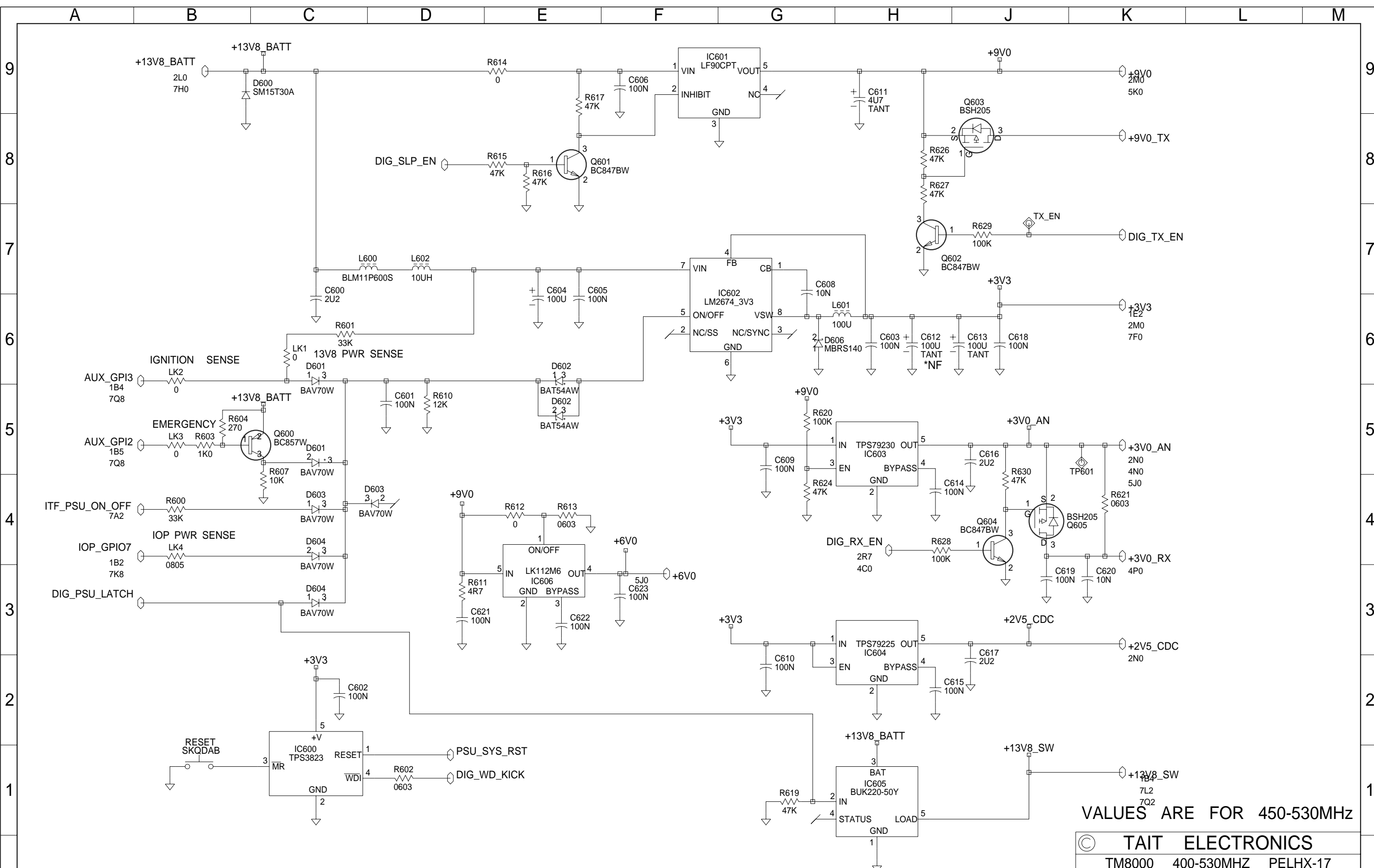
VALUES ARE FOR 450-530MHZ

© TAIT ELECTRONICS
 TM8000 400-530MHZ PELHX-17
 SYNTH & VCOS

IPN: 220-01697-03 ISSU: 03A 2.SC. 5
 ID: 17/03

PROJECT: TM8000 DESIGNER: CRAIG M FILE NAME: 169703a FILE DATE: 2-Jul-03 NO. SHEETS: 7

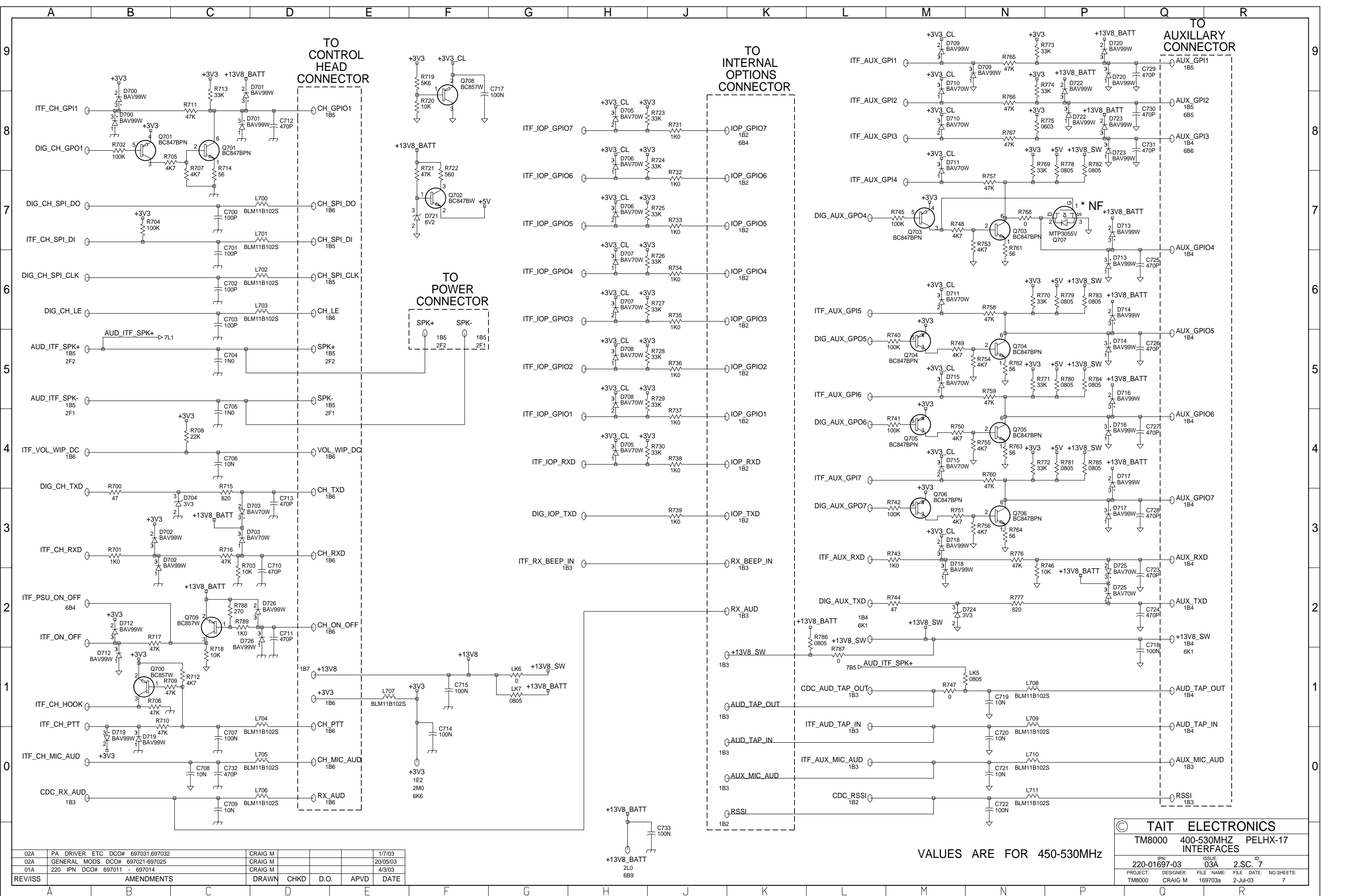
02A	PA DRIVER ETC DCO# 697031.697032	CRAIG M			17/03
02A	GENERAL MODS DCO# 697021-697025	CRAIG M			20/05/03
01A	220 IPN DCO# 697011 - 697014	CRAIG M			4/3/03
REV/ISS	AMENDMENTS	DRAWN	CHKD	D.O.	APVD DATE



VALUES ARE FOR 450-530MHz

© TAIT ELECTRONICS			
TM8000 400-530MHZ PELHX-17 POWERSUPPLY			
IPN: 220-01697-03	ISSUE: 03A	ID: 2.SC. 6	
PROJECT: TM8000	DESIGNER: CRAIG M	FILE NAME: 169703a	FILE DATE: NO.SHEETS: 2-Jul-03 7

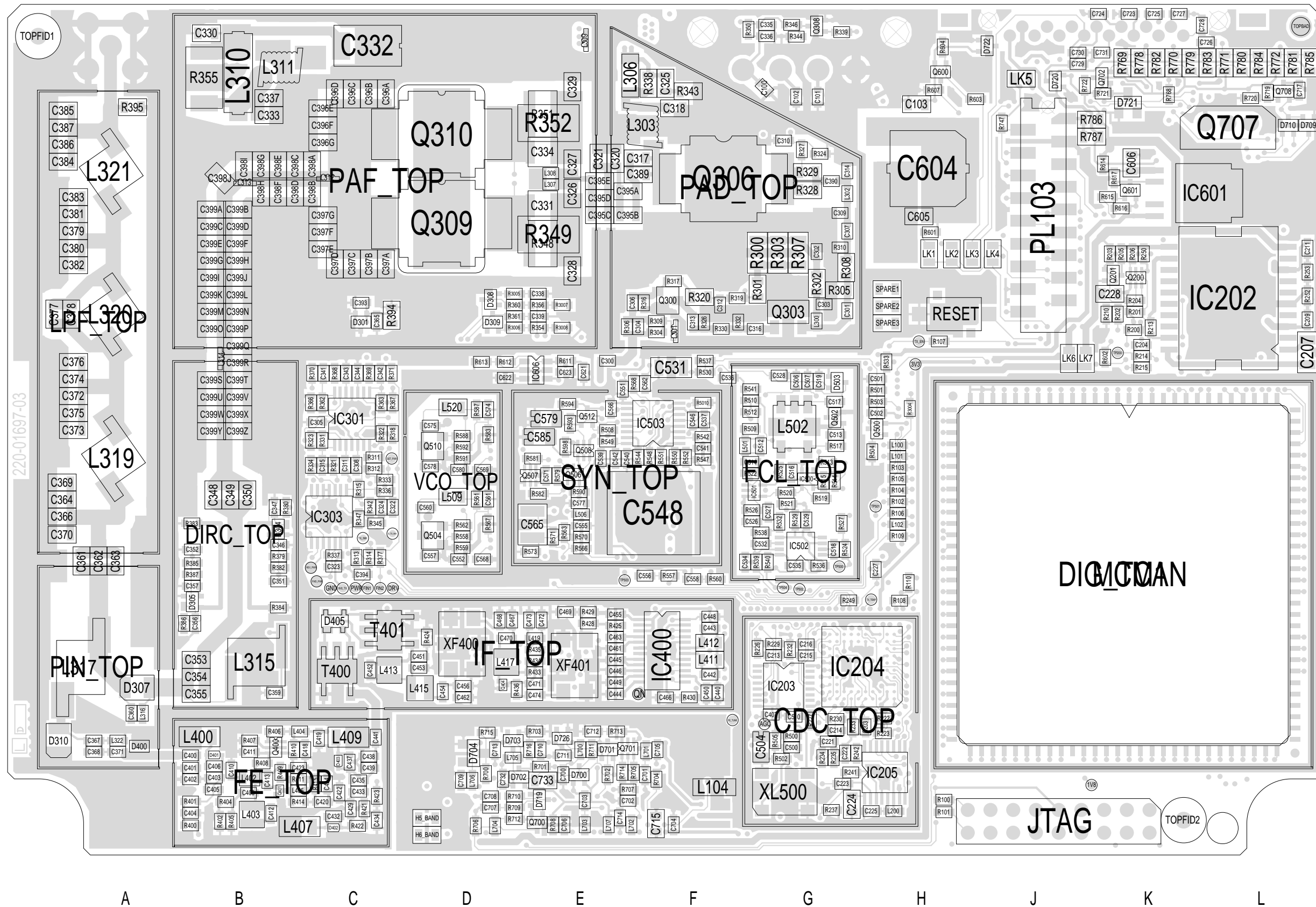
02A	PA DRIVER ETC DCO# 697031,697032	CRAIG M			1/7/03
02A	GENERAL MODS DCO# 697021-697025	CRAIG M			20/05/03
01A	220 IPN DCO# 697011 - 697014	CRAIG M			4/3/03
REV/ISS	AMENDMENTS	DRAWN	CHKD	D.O.	APVD DATE



02A	PA DRIVER ETC DCO# 697031.697032	CRAIG M				1/7/03
02A	GENERAL MODS DCO# 697021-697025	CRAIG M				20/05/03
01A	220 IPN DCO# 697011 - 697014	CRAIG M				4/3/03
REV/ISS	AMENDMENTS	DRAWN	CHKD	D.O.	APVD	DATE

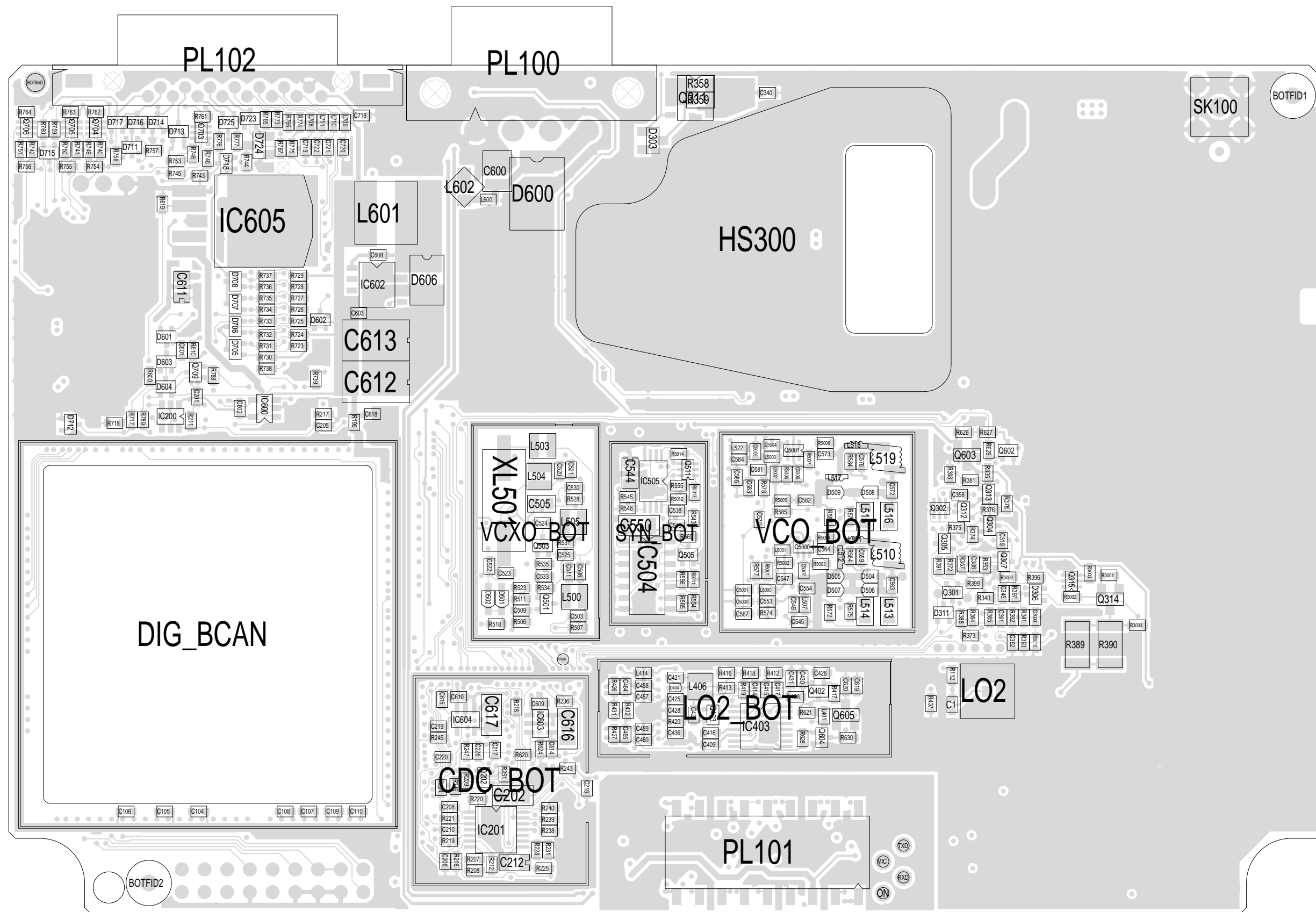
VALUES ARE FOR 450-530MHZ

© TAIT ELECTRONICS
 TM8000 400-530MHZ PELHX-17 INTERFACES
 IPN: 220-01697-03 ISSUE: 03A 2.SC. 7
 PROJECT: TM8000 DESIGNER: CRAIG M FILE NAME: 169703a FILE DATE: 2-Jul-03 NO. SHEETS: 7



TAIT ELECTRONICS IPN: 220-01697-03 ISS: A ID: 1.TA DATE: 2 Jul 2003
 UHF PELHX-17 PCB LAYOUT - TOP SIDE

Scale: 2.2:1 ; Rotation: 0 degrees



L K J H G F E D C B A

11
10
9
8
7
6
5
4
3
2
1

TAIT ELECTRONICS IPN: 220-01697-03 ISS: A ID: 4.BA DATE: 2 Jul 2003
UHF PELHX-17 PCB LAYOUT - BOTTOM SIDE

Scale:2.2:1 ; Rotation: 0 degrees